

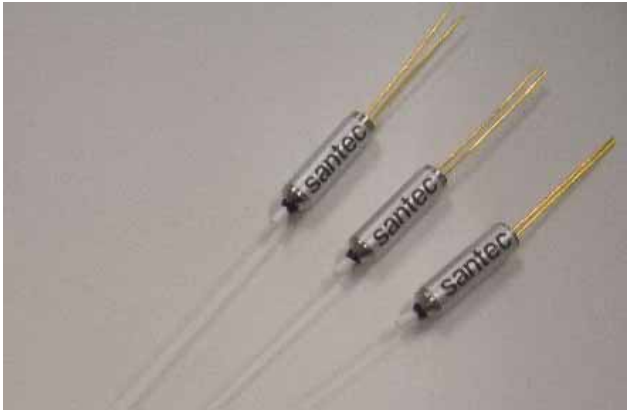
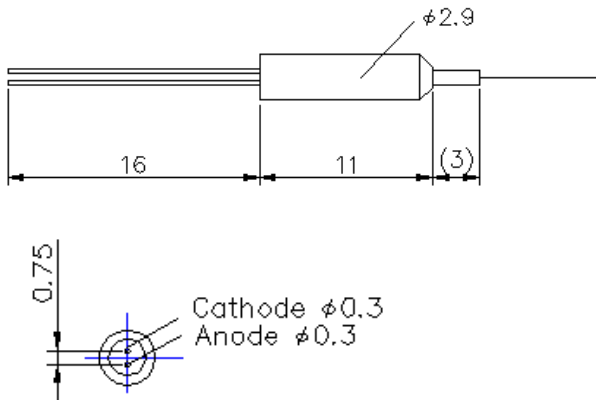
SANTEC OPTICAL COMPONENTS

**Miniature Fiber-pigtailed Photo Detector
MPD-1**



The MPD is an optical power monitoring device consisting of terminating photo detectors that are integrated with fiber inputs. The MPD is very compact and is easily mounted on PCB for system use. The MPD provides a simple and low cost solution for power monitoring at DWDM and amplifier systems.

Dimensions



Features

- High Quality (Telcordia GR-468-CORE Qualified)
- Excellent Characteristics
- Low Dark current
- Ultra Compact Design
- Minimum fiber bending radius of 5mm is available
- Short package available

Datasheet

Wavelength range	O-band	C or L band	Unit
PD sensitivity	> 800	> 850	mA/W
Dark current (@70 , 5V bias)	< 2.0		nA
Reverse voltage	< 20		V
Forward current	< 10		mA
Bandwidth	Typ. 800		MHz
Return loss	> 40		dB
Operating Input Optical Power	< 10.0		dBm
Operating temperature range	-5 to +70		°C
Storage temperature range	-40 to +85		°C



SANTEC CORPORATION
5823 Ohkusa-Nenjoyzaka, Komaki, Aichi 485-0802, Japan Tel. +81-568-79-1959 Fax +81-568-79-1718

SANTEC U.S.A. CORPORATION
433 Hackensack Ave., Hackensack, NJ 07601, U.S.A. Toll Free +1-800-726-8321(santec-1) Tel. +1-201-488-5505 Fax +1-201-488-7702

SANTEC EUROPE LIMITED
Magdalen Centre, Robert Robinson Ave., The Oxford Science Park, Oxford OX4 4GA, U.K. Tel. +44-1865-784960 Fax +44-1865-784961

SANTEC (SHANGHAI) Co., Ltd.
No.800 Zhangyang Road Changhang Tower, Pudong District, Shanghai 200122 China Tel: +86-21-58361261, +86-21-58361262 Fax: +86-21-58361263